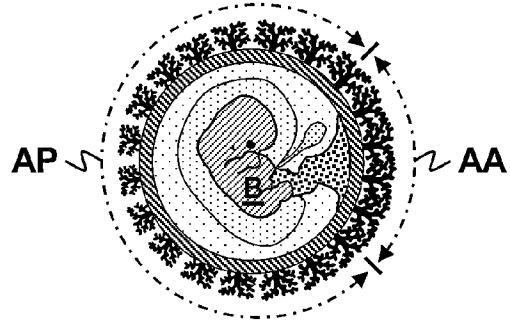


VF - Ventilating fluid
B - Baby

FIG. 1A



AA - Alluvia anterioris
AP - Alluvia posterioris
B - Baby

FIG. 1B

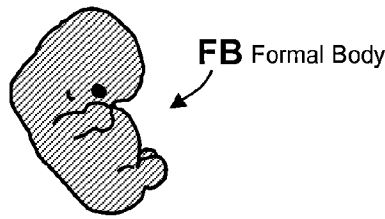


FIG. 2A

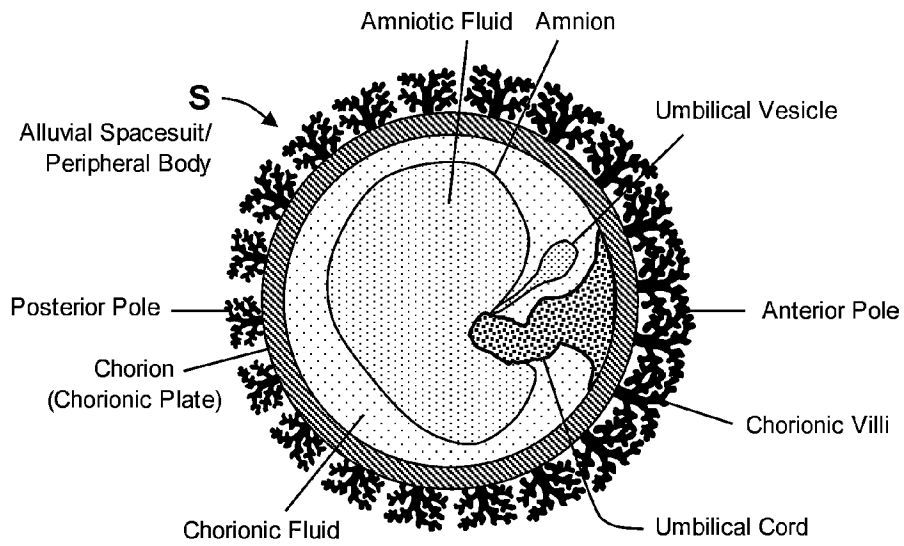


FIG. 2B

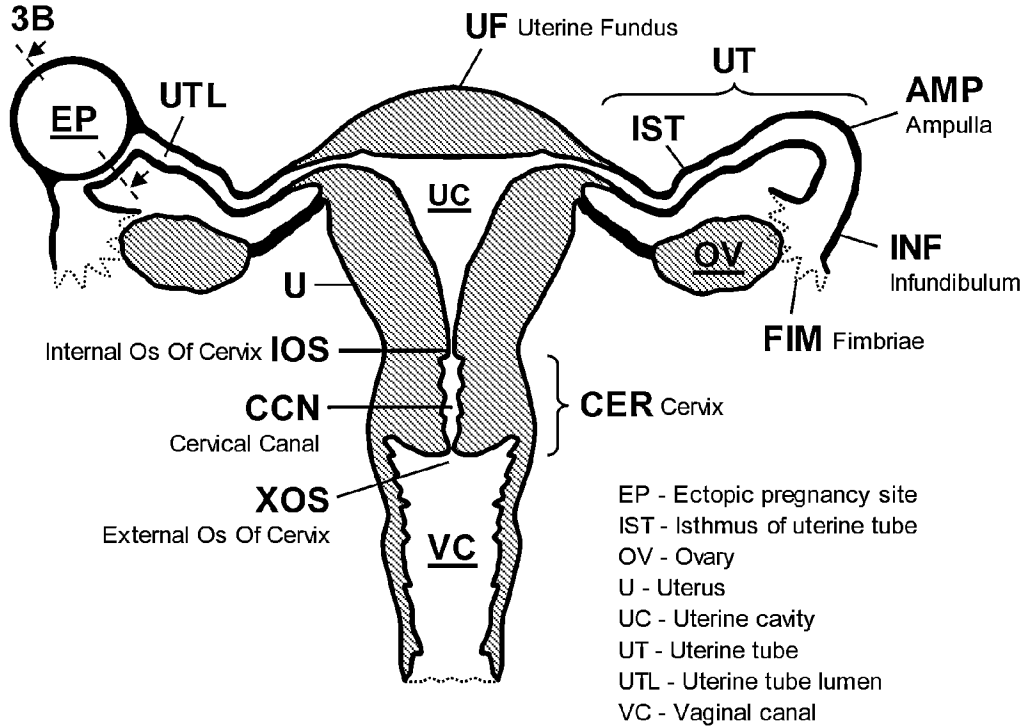


FIG. 3A

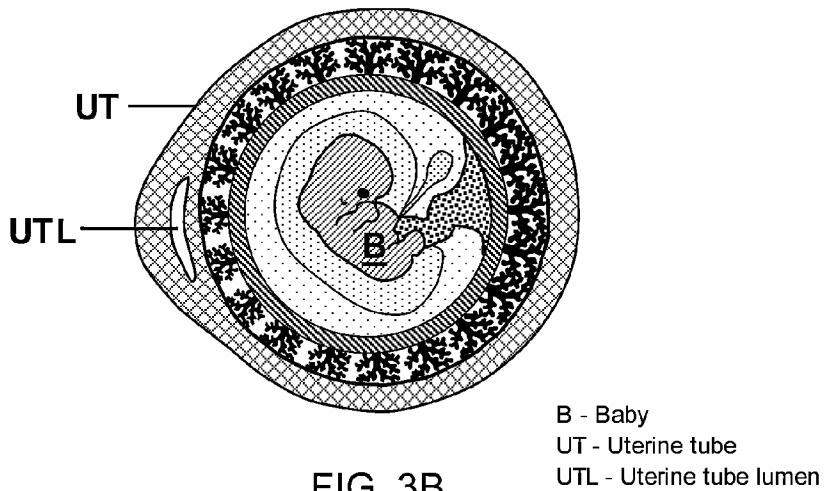
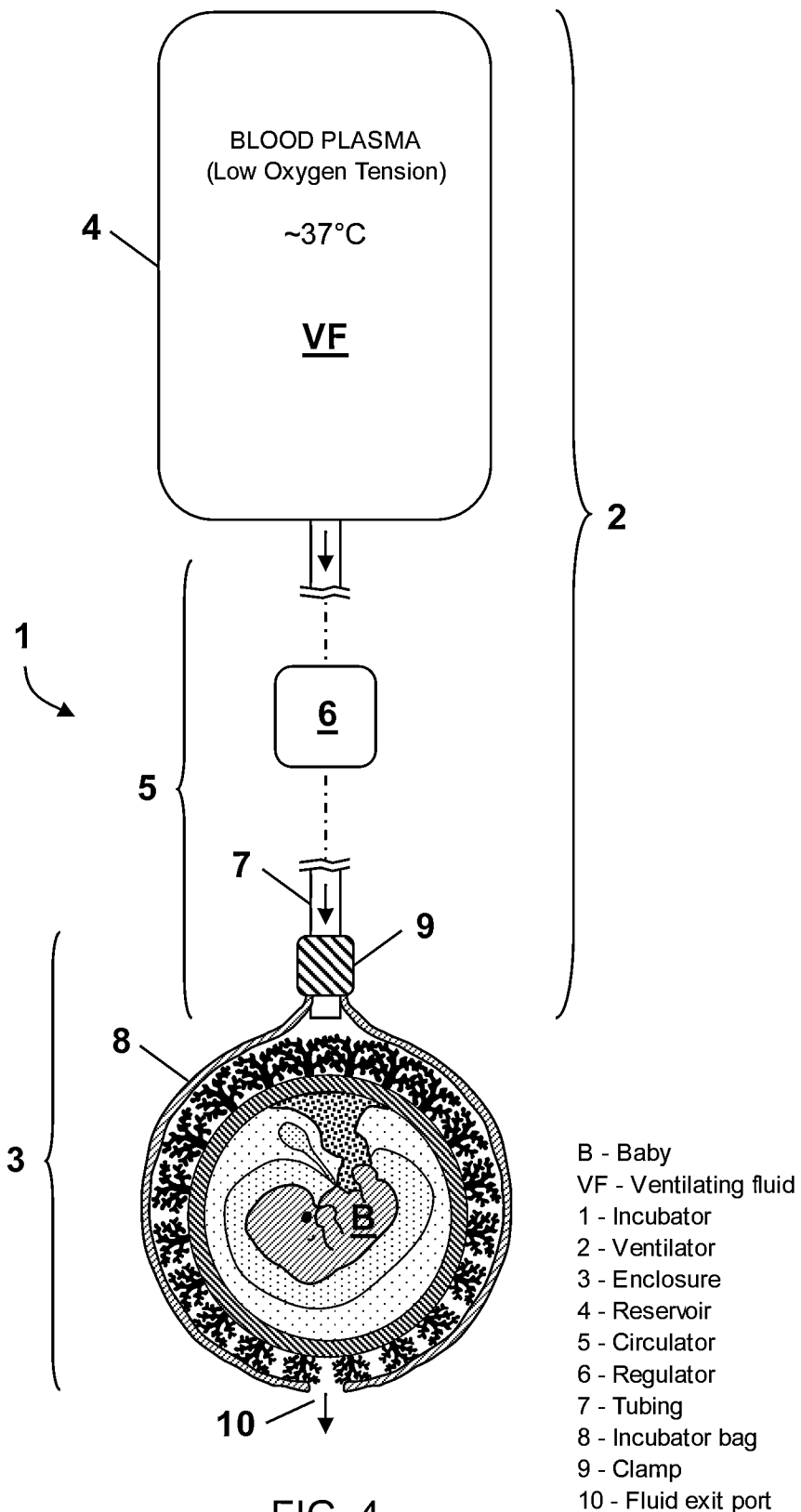


FIG. 3B



- B - Baby
- VF - Ventilating fluid
- 1 - Incubator
- 2 - Ventilator
- 3 - Enclosure
- 4 - Reservoir
- 5 - Circulator
- 6 - Regulator
- 7 - Tubing
- 8 - Incubator bag
- 9 - Clamp
- 10 - Fluid exit port

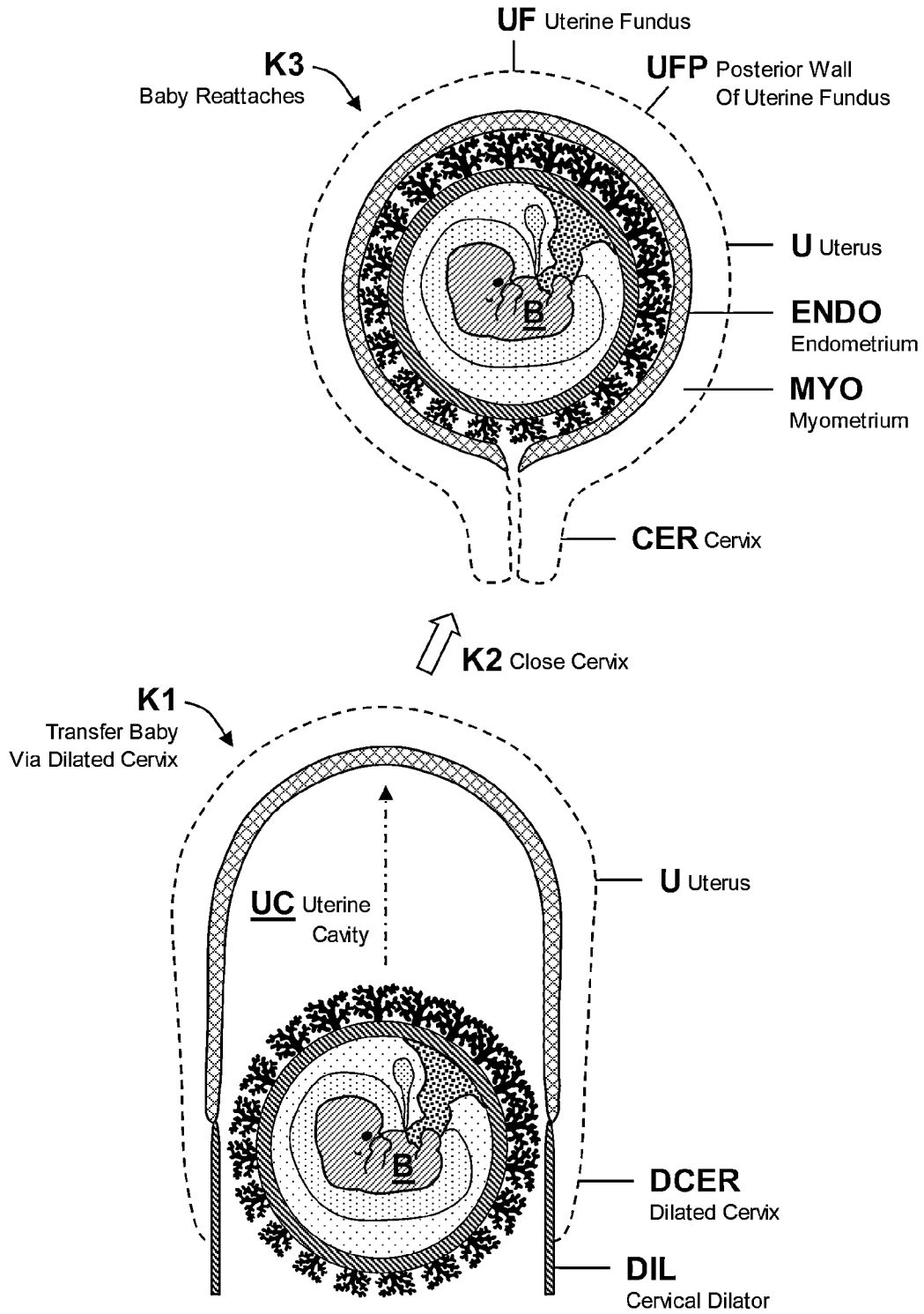


FIG. 5

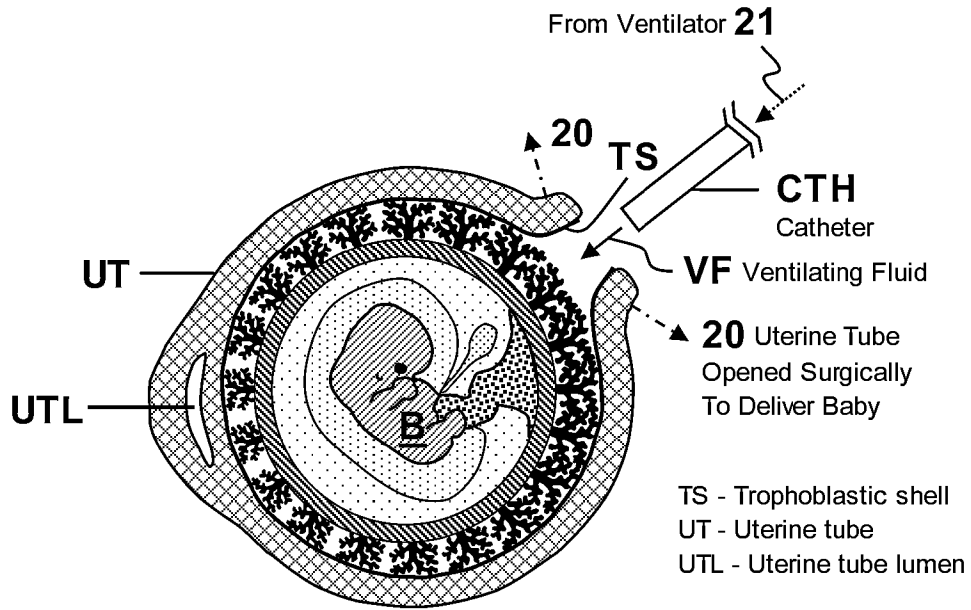


FIG. 6

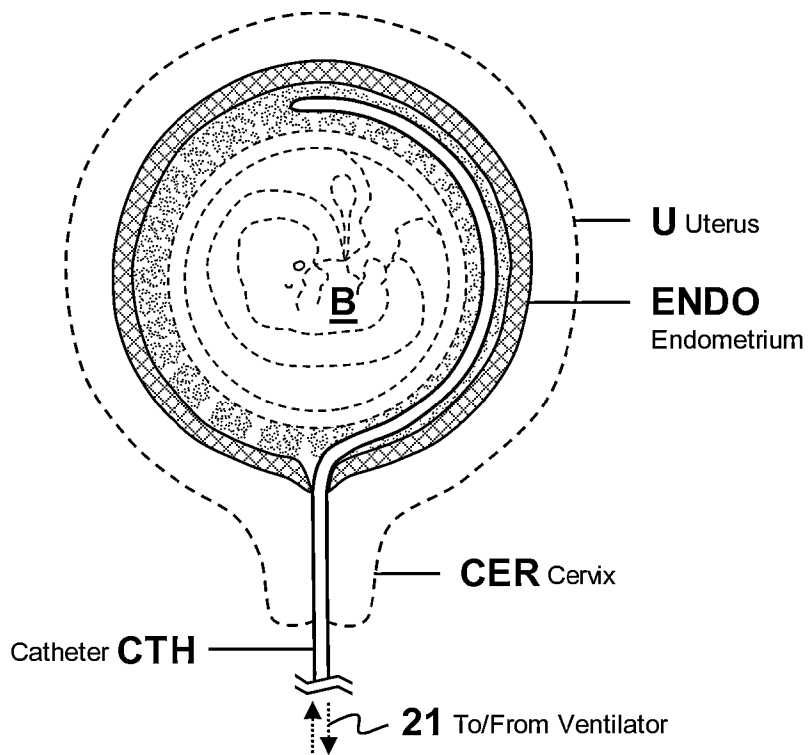


FIG. 7

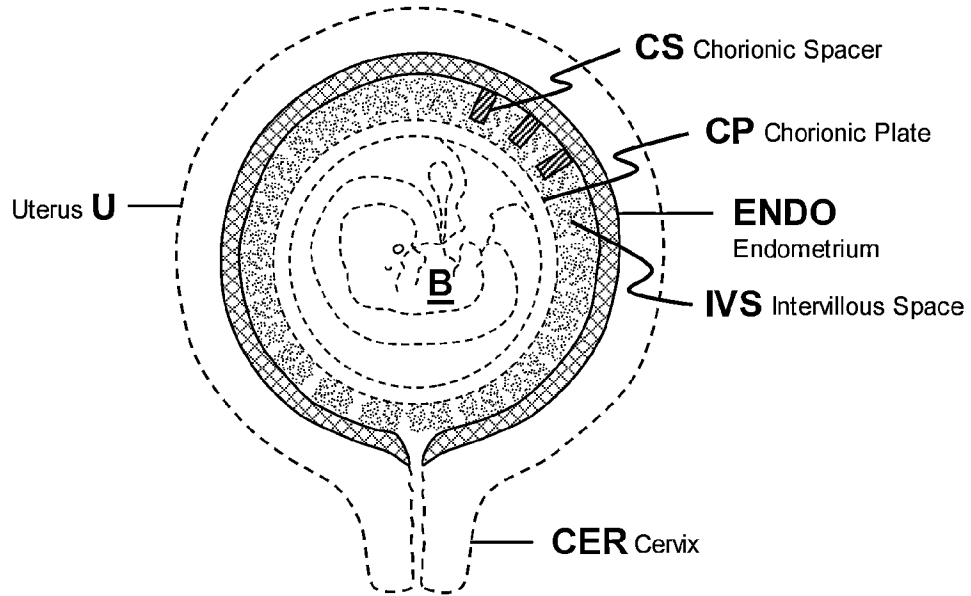


FIG. 8

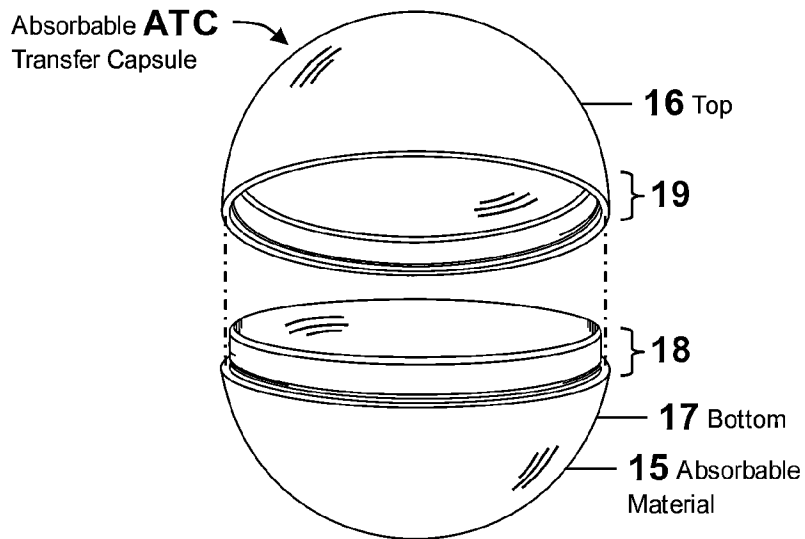


FIG. 9

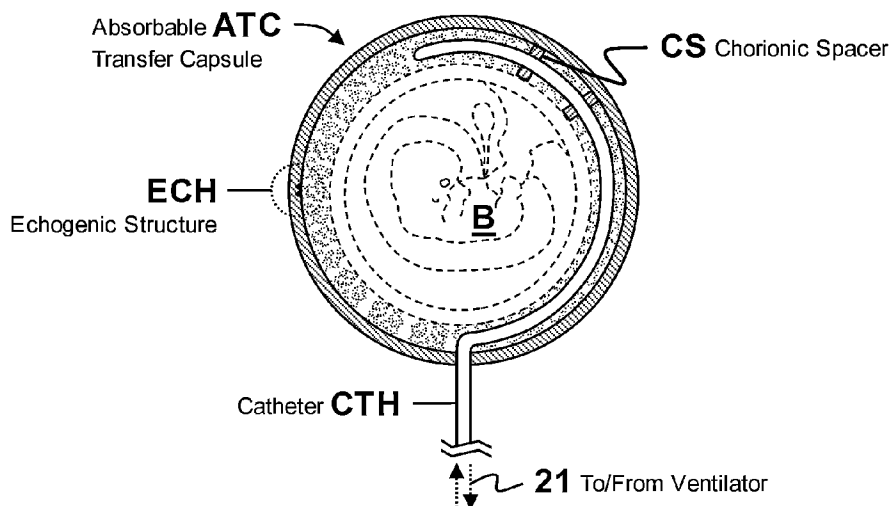


FIG. 10

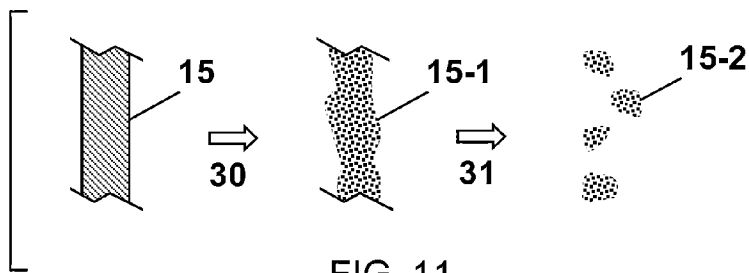


FIG. 11

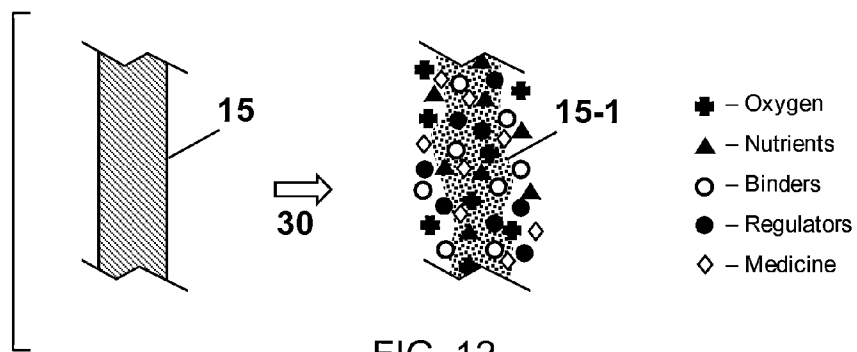


FIG. 12

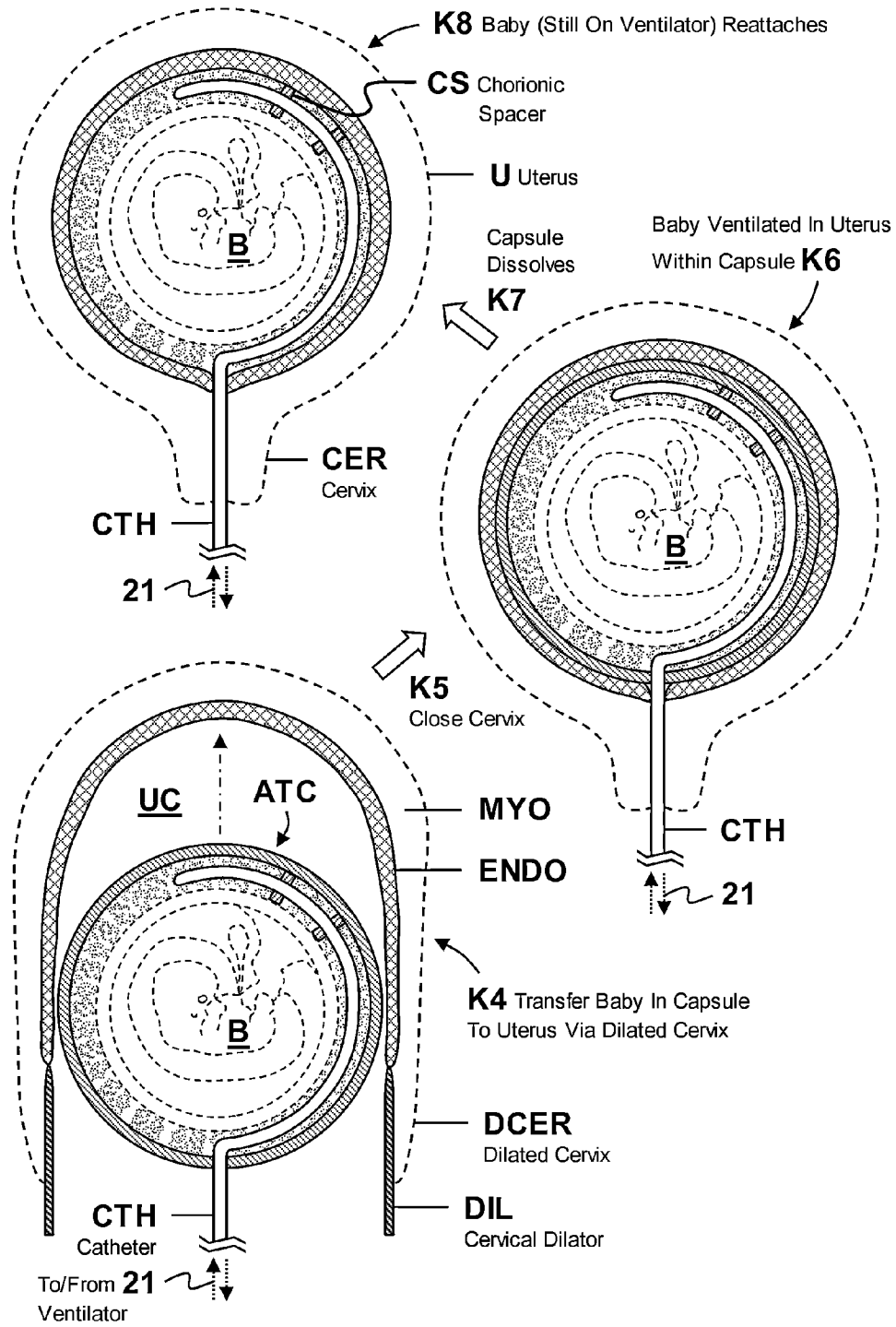


FIG. 13

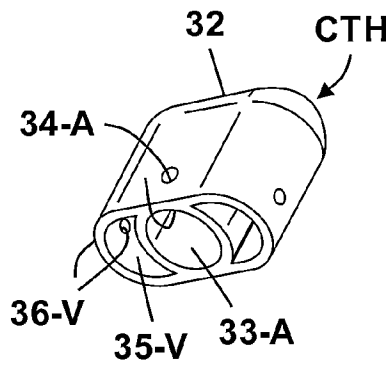


FIG. 14

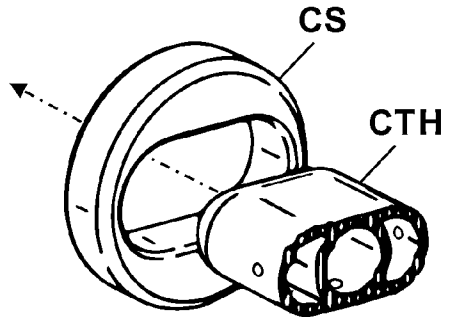


FIG. 15

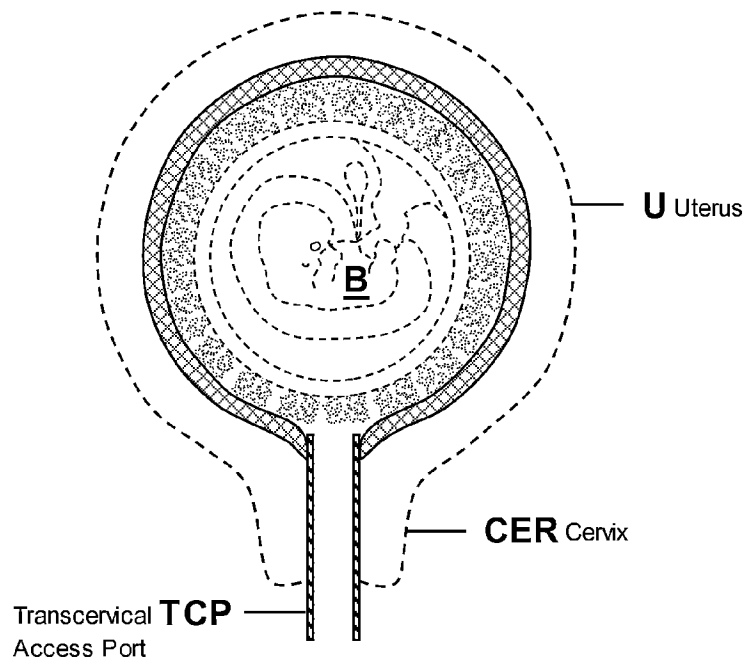


FIG. 16

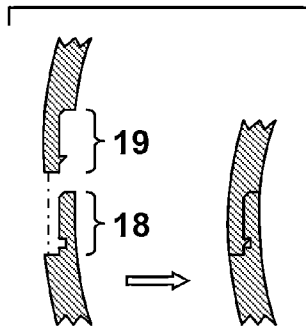


FIG. 17

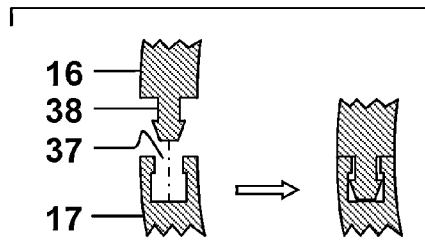


FIG. 18

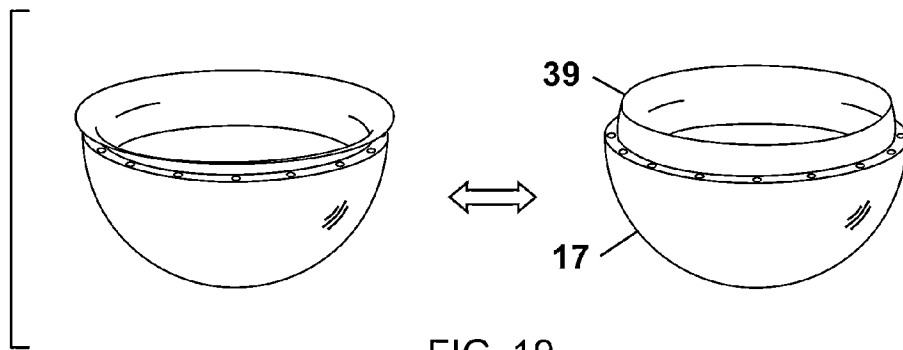


FIG. 19

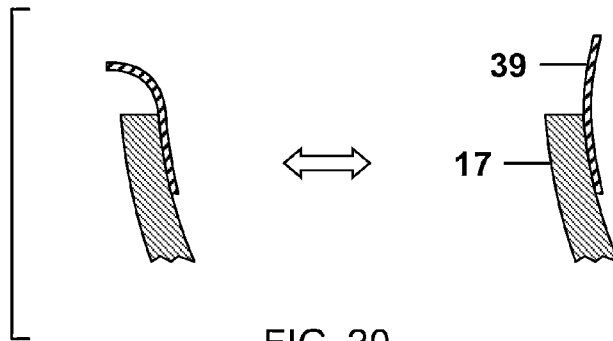


FIG. 20

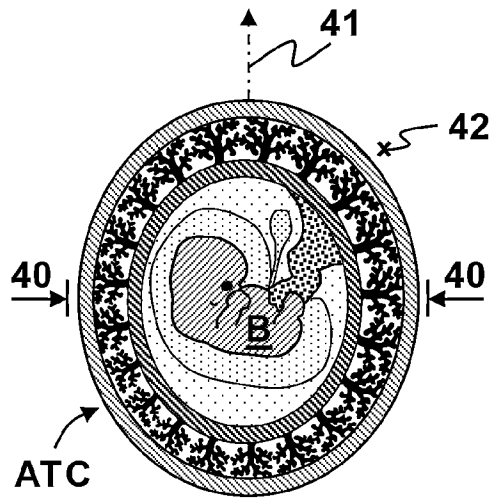


FIG. 21

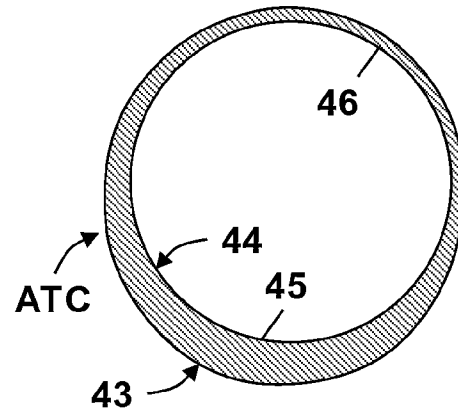


FIG. 22

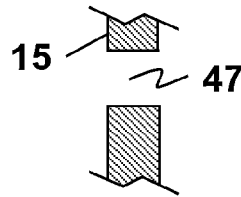


FIG. 23

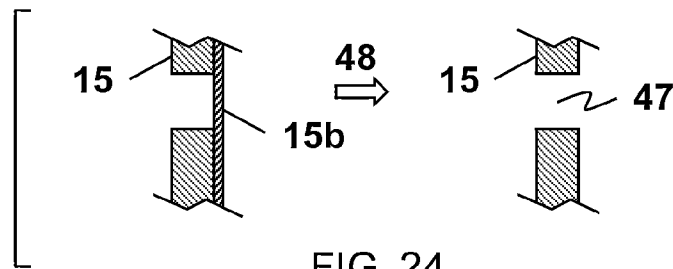


FIG. 24

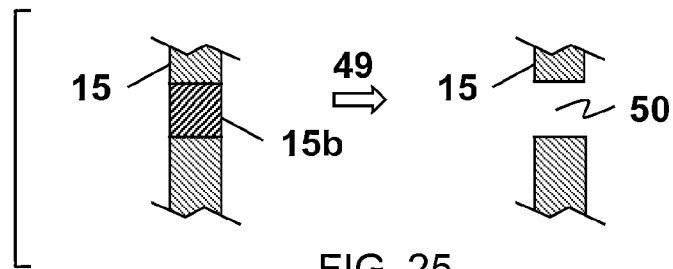


FIG. 25

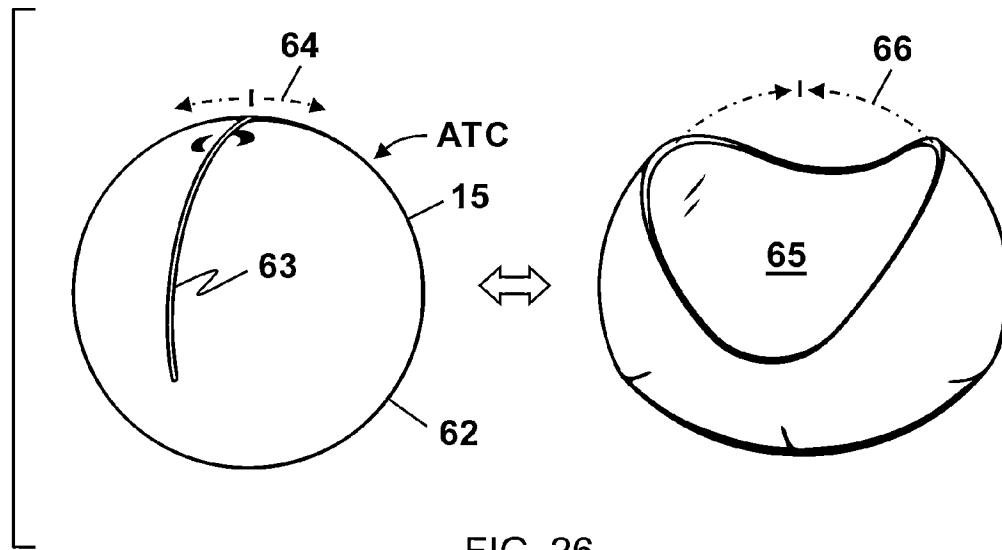
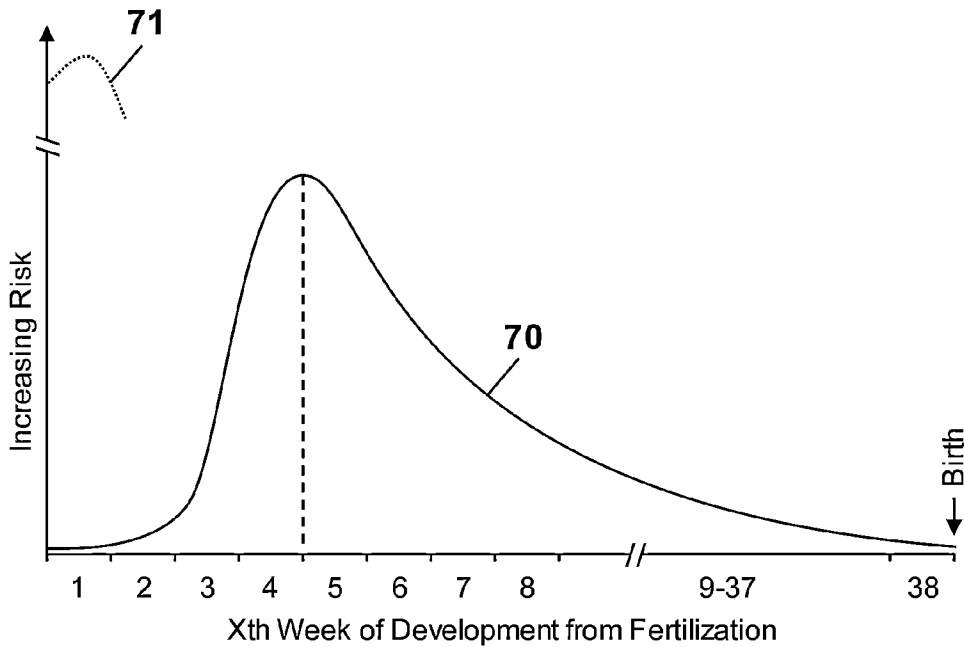


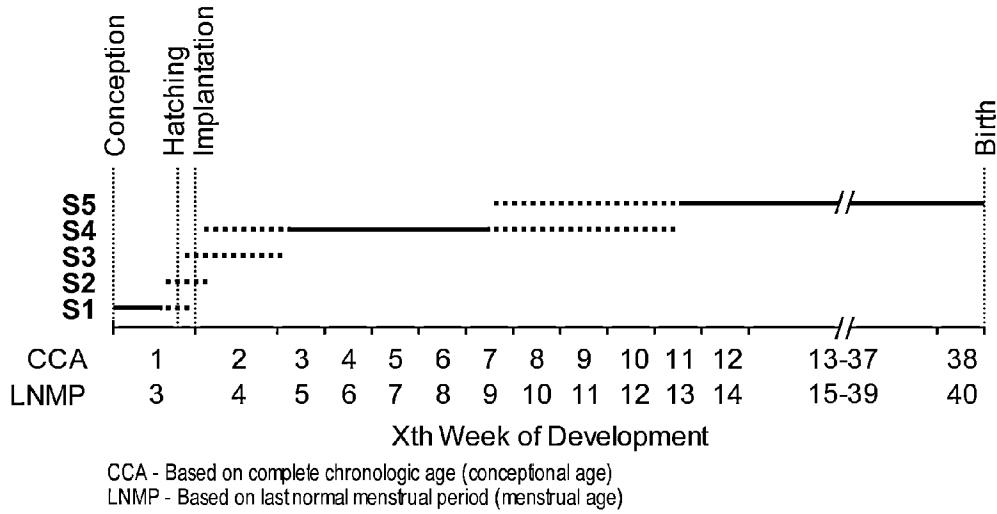
FIG. 26



Adapted from: Sadler, Langman's Essential Medical Embryology, Lippinott, Williams & Wilkins (Philadelphia, PA): 2005; Fig. 11.5, pp. 138-139.

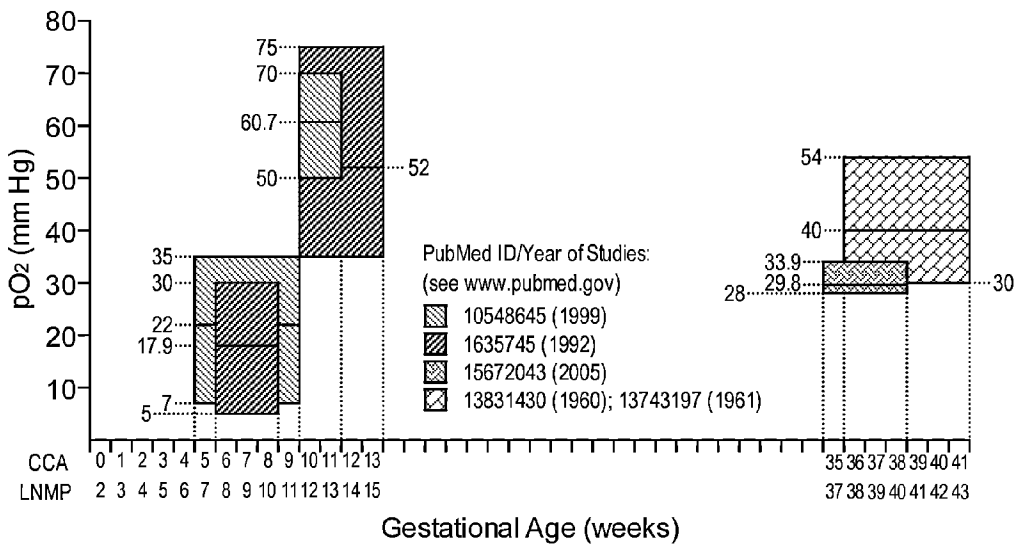
Risk of Birth Defects Being Induced
(Susceptibility to Teratogens)

FIG. 27



Sequential Stages of Fluidic Ventilation

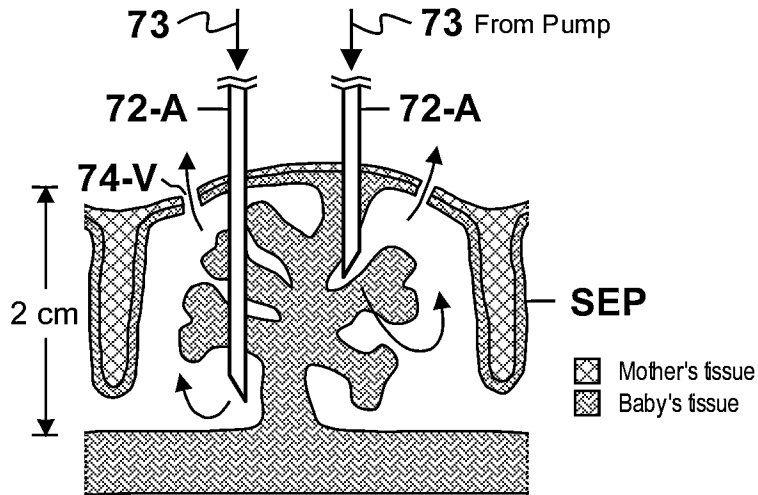
FIG. 28



Adapted from: Tuuli et al., Placenta, Vol. 32, Suppl. 2, 2011, pp. S109-S118; Fig. 1, p. S110.

Intervillous Oxygen Tension Measurements During Pregnancy

FIG. 29



Adapted from: Soydemir et al., Laboratory Investigation,
Vol. 91, No. 2, 2011, pp. 181-189; Fig. 1(b), p. 183.

(Art of Soydemir et al.)

FIG. 30

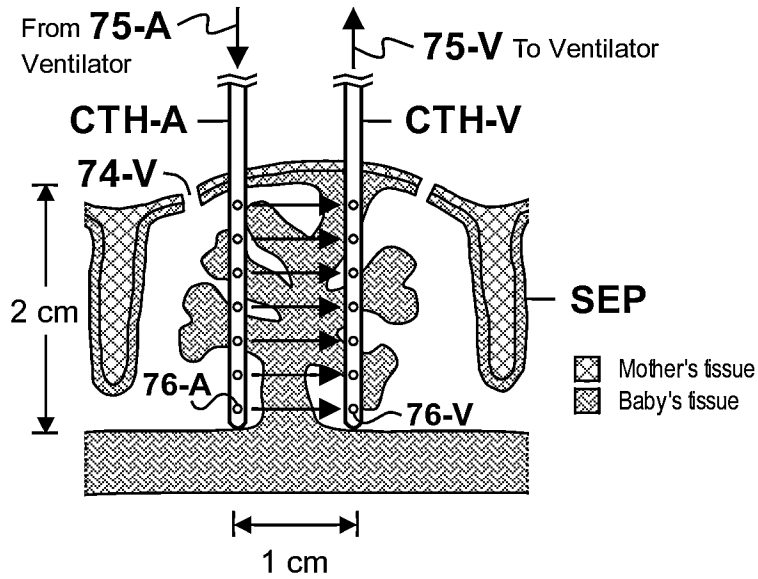


FIG. 31

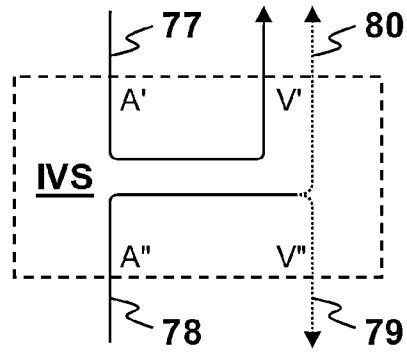


FIG. 32

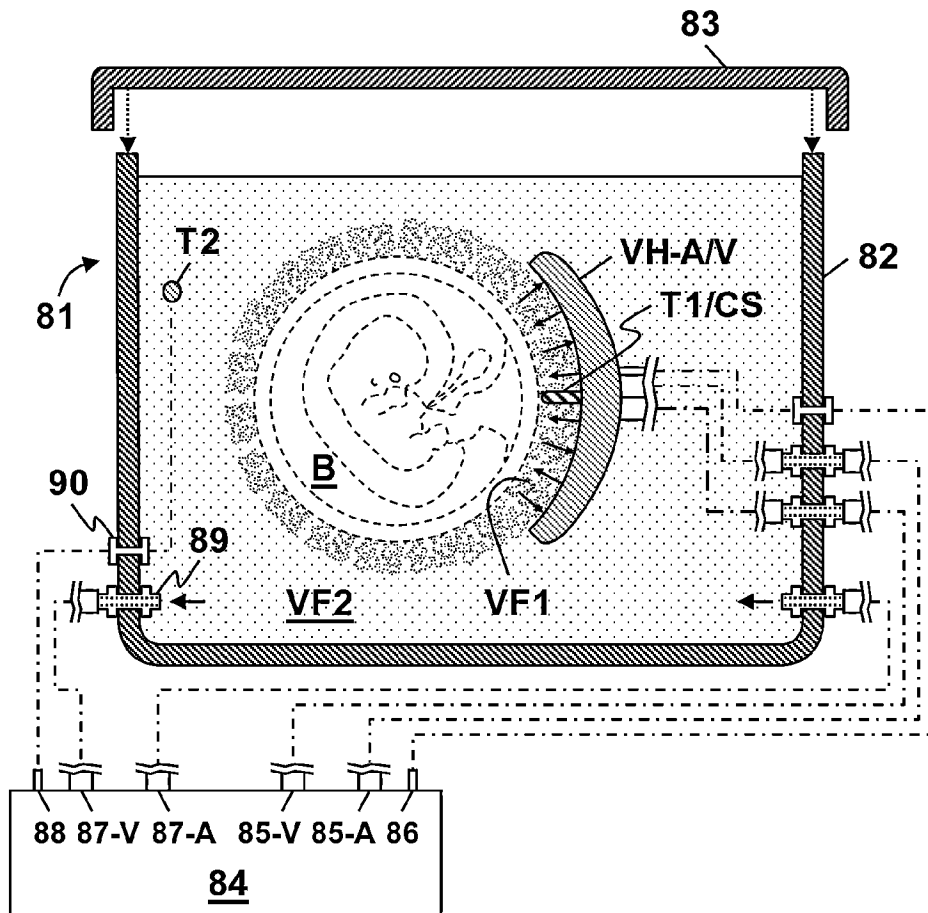


FIG. 33

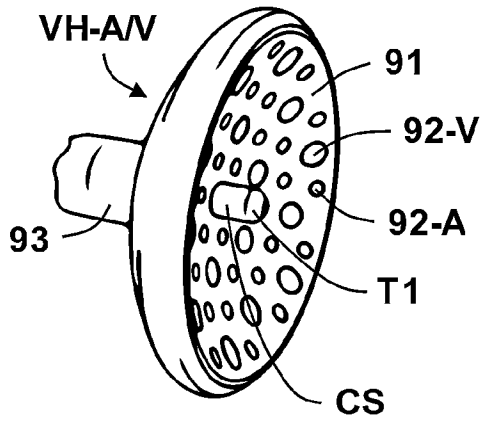


FIG. 34

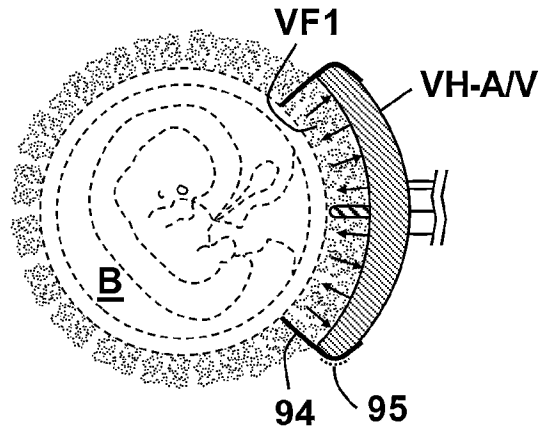


FIG. 35

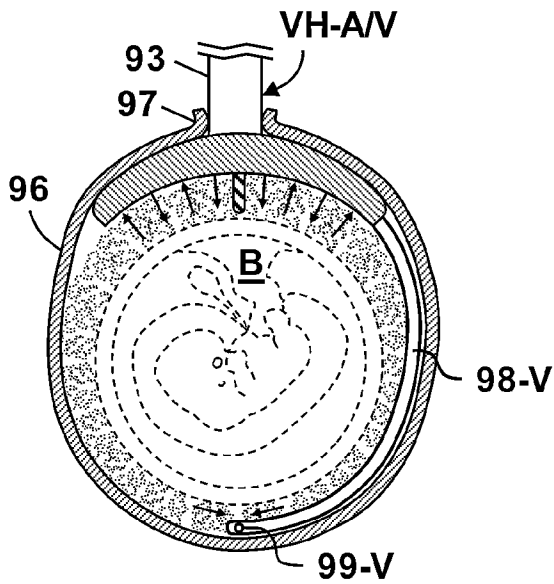


FIG. 36

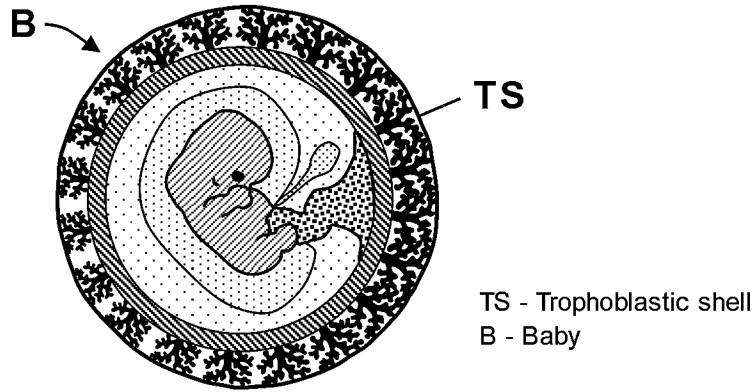


FIG. 37

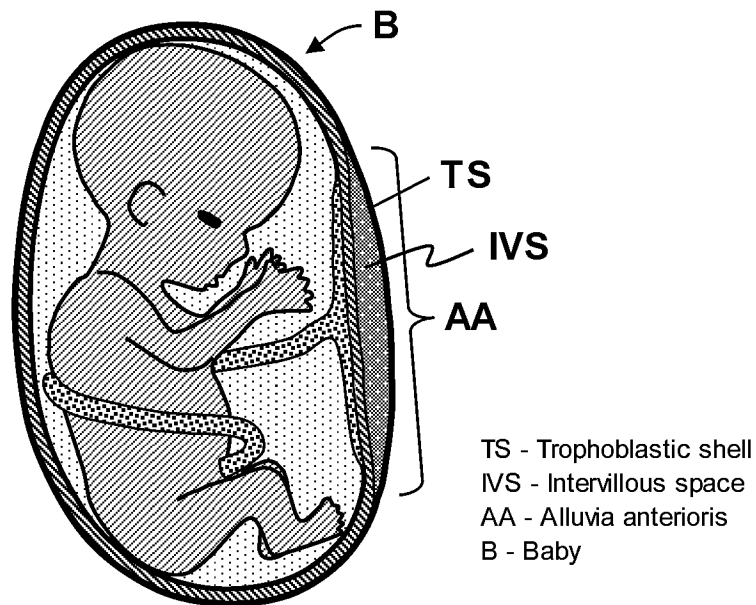


FIG. 38